



NEWEX

Experience New

NEWEX INTERNATIONAL CO., LTD

PHILEXI is a trademark of NEWEX INTERNATIONAL CO., LTD

Sourcing Manager/ Sales Manager: Mr. Justin

Whatsapp/Mobile/Wechat: +8613928822021

Skype ID: liangshizong

Email: justin@philexi.com, justin.liang@newexintl.com

Hongkong Office Address:

FLAT/RM 02, 7/F, SPA CENTRE,
NO.53-55 LOCKHART ROAD,
WAN CHAI, HONG KONG

Guangzhou Office Address:

Room 505, BLDG A, Hengda Business
Center, 3rd Bigui Road, Luopu Street,
Panyu District, Guangzhou, China

MAKING MODERN LIVING POSSIBLE

Danfoss



Performer[®] scroll compressors

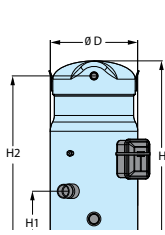
SM - SY - SZ

R407C - R134a - R22 - 50 Hz

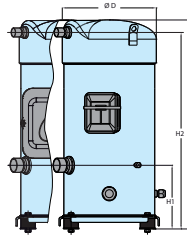
Quick reference

QUICK REFERENCE

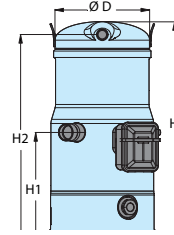
PRODUCT RANGE SINGLE COMPRESSORS



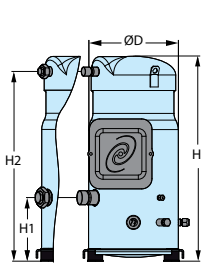
	D	H	H1	H2
S084-090-100	254	508	142	465
S110-120	254	558	178	515



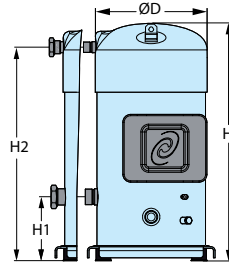
	D	H	H1	H2
S148-161	266	591	180	556



	D	H	H1	H2
S112	243	535	278	504
S124-147	243	540	278	509



	D	H	H1	H2
S115-125	254	581	180	537
S160	266	631	180	596
S175-185	316	678	180	641



	D	H	H1	H2
S240	344	727	196	654
S300	344	738	196	665
S380	344	762	196	689

All dimensions in mm

Model	Motor voltage code		
	400V/3/50Hz - 460V/3/60Hz	230/3/50	500/3/50 - 575/3/60
	4	6	7
SM/SZ084-090-100-110-120	●	●	●
SM/SZ148-161	●	●	●
SM112-124-147	●		
SM/SZ115-125-160-175-185	○ ●	○ ●	○ ●
SY185	○ ●		
SY/SZ240-300	○ ●	○ ●	○ ●
SY/SZ380 *	●		

○ Rotolock version ● Brazed version * SY380 only available for 400/3/50Hz

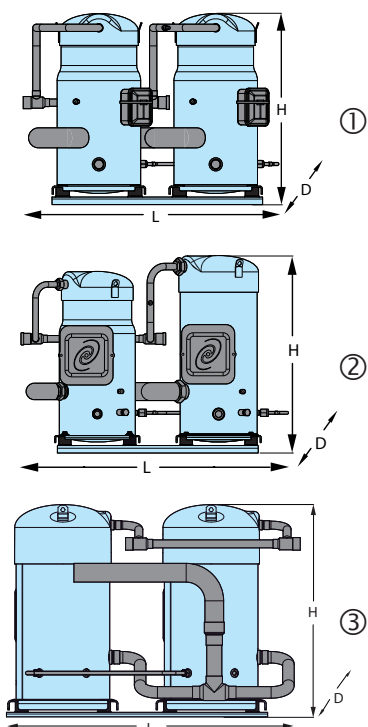
TECHNICAL SPECIFICATIONS

Model	Nominal tons 60 Hz	Nominal cooling capacity ①		Power input ①	Max. operating current	COP ①	E.E.R. ①	Sound power	Swept volume	Displacement ③	Oil charge	Net weight ④	
	TR	W	Btu/h	kW	A ②	W/W	Btu/h/W	dB(A)	cm³/rev	m³/h	dm³	kg	
R22	SM084	7	20 400	69 600	6.12	17	3.33	11.4	70	114.5	19.92	3.3	64
	SM090	7.5	21 800	74 400	6.54	17	3.33	11.4	70	120.5	20.97	3.3	65
	SM100	8	23 100	79 000	6.96	18	3.33	11.3	70	127.2	22.13	3.3	65
	SM110	9	25 900	88 600	7.82	20	3.32	11.3	75	144.2	25.09	3.3	73
	SM112	9.5	27 600	94 400	7.92	21	3.49	11.9	75	151.5	26.36	3.3	64
	SM115	9.5	28 000	95 600	8.31	22	3.37	11.5	76	155.0	26.97	3.8	78
	SM120	10	30 100	102 800	8.96	24	3.36	11.5	75	166.6	28.99	3.3	73
	SM124	10	31 200	106 300	8.75	23	3.56	12.2	73	169.5	29.50	3.3	64
	SM125	10	30 100	102 800	8.93	24	3.37	11.5	76	166.6	28.99	3.8	78
	SM147	12	36 000	123 000	10.08	26	3.58	12.2	74	193.5	33.70	3.3	67
	SM148	12	36 100	123 100	10.80	29	3.34	11.4	79	199.0	34.60	3.6	88
	SM160	13	39 100	133 500	11.60	29	3.37	11.5	79.5	216.6	37.69	4.0	90
	SM161	13	39 000	133 200	11.59	31	3.37	11.5	79.5	216.6	37.69	3.6	88
	SM175	14	42 000	143 400	12.46	34	3.37	11.5	80	233.0	40.54	6.2	100
	SM/SY185	15	45 500	155 300	13.62	35	3.34	11.4	80	249.9	43.48	6.2	100
	SY240	20	61 200	208 700	18.20	47	3.36	11.5	82	347.8	60.50	8.0	150
	SY300	25	78 200	267 000	22.83	58	3.43	11.7	82	437.5	76.10	8.0	157
SY380	30	92 000	313 900	26.82	69	3.43	11.7	85	531.2	92.40	8.4	158	
R407C	SZ084	7	19 300	66 000	6.13	17	3.15	10.7	71	114.5	19.92	3.3	64
	SZ090	7.5	20 400	69 600	6.45	17	3.16	10.8	72	120.5	20.97	3.3	65
	SZ100	8	21 600	73 700	6.84	18	3.15	10.8	73	127.2	22.13	3.3	65
	SZ110	9	24 600	84 000	7.76	20	3.17	10.8	77	144.2	25.09	3.3	73
	SZ115	9.5	26 900	91 700	8.49	22	3.16	10.8	77	155.0	26.97	3.8	78
	SZ120	10	28 600	97 600	8.98	24	3.18	10.9	77	166.6	28.99	3.3	73
	SZ125	10	28 600	97 500	8.95	24	3.19	10.9	78	166.6	28.99	3.8	78
	SZ148	12	35 100	119 800	10.99	29	3.19	10.9	79	199.0	34.60	3.6	88
	SZ160	13	37 600	128 200	11.58	29	3.24	11.1	80.5	216.6	37.69	4.0	90
	SZ161	13	37 900	129 500	11.83	31	3.21	10.9	79	216.6	37.69	3.6	88
	SZ175	14	40 100	136 900	12.67	34	3.17	10.8	81	233.0	40.54	6.2	100
	SZ185	15	43 100	147 100	13.62	35	3.16	10.8	81	249.9	43.48	6.2	100
	SZ240	20	59 100	201 800	18.60	47	3.18	10.9	83.5	347.8	60.50	8.0	150
	SZ300	25	72 800	248 300	22.70	58	3.20	10.9	84	437.5	76.10	8.0	157
	SZ380	30	89 600	305 900	27.60	69	3.25	11.1	86.5	531.2	92.40	8.4	158

① at ARI standard rating conditions: 7.2°C evaporating temperature, 54.4°C condensing temperature, 8.3 K subcooling, 11.1 K superheat,
 ② for +15°C evap. temp.; +68°C cond. temp. under nominal voltage 400V / 3 / 50 Hz, -10%
 ③ displacement at nominal speed: 2900 rpm at 50 Hz,
 ④ net weight with oil charge

QUICK REFERENCE

PRODUCT RANGE TANDEM COMPRESSORS



Outline n°	Model	Composition	Voltage code			Dimensions (mm)		
			4 400/3/50 460/3/60	6 230/3/50	7 500/3/50 575/3/60	L	D	H
①	SM/SZ170	S084 + S084	●	●	●	757	432	532
	SM/SZ180	S090 + S090	●	●	●	757	432	532
	SM/SZ200	S100 + S100	●	●	●	757	432	532
	SM/SZ220	S110 + S110	●	●	●	777	443	582
	SM/SZ230	S115 + S115	●	●	●	836	480	603
	SM/SZ242	S120 + S120	●	●	●	777	443	582
	SM248	S124 + S124	○			844	445	564
	SM/SZ250	S125 + S125	●	●	●	836	480	603
	SM272	S124 + S147	○			844	445	564
	SM294	S147 + S147	○			844	445	564
	SM/SZ296	S148 + S148	●	●	●	924	438	614
	SM/SZ320	S160 + S160	●	●	●	911	480	657
SM/SZ322	S161 + S161	●	●	●	924	438	614	
SM/SZ350	S175 + S175	●	●	●	1004	495	717	
SM/SZ370	S185 + S185	●	●	●	1004	495	717	
②	SM/SZ268	S148 + S120	●	●	●	930	441	614
	SM/SZ271	S161 + S110	●	●	●	930	441	614
	SM/SZ281	S161 + S120	●	●	●	930	441	614
	SM/SZ285	S160 + S125	●	●	●	884	480	657
	SM/SZ290	S175 + S115	●	●	●	924	496	705
	SM/SZ310	S185 + S125	●	●	●	924	496	705
	SY/SZ425	S240 + S185	○	○	○	1029	552	729
	SY/SZ485	S300 + S185	○	○	○	1029	552	740
	SY/SZ482	S240 + S240	○	○	○	984	510	730
	SY/SZ540	S300 + S240	○	○	○	984	510	740
	SY/SZ600	S300 + S300	○	○	○	984	510	740
	SY/SZ620	S240 + S380	○			1058	595	770
③	SY/SZ680	S300 + S380	○			1058	595	770
	SY/SZ760	S380 + S380	○			1063	595	770

● Factory built tandems
○ Tandems to be achieved by assembly of individual compressors. Specific outline drawings of tandems, trio and quadro units are available, refer to FRCC.PC.005.

NAMEPLATE REFERENCE

Family, lubricant & refrigerant SZ SY	Nominal capacity 185 300	-	Voltage 4 7	Version R AA	Evolution index C A	Single compressors Single compressors																																							
<p>Family, lubricant & refrigerant SM: Scroll, Mineral oil, R22 SY: Scroll, POE lubricant, R22 (and R407C for SY185-240-300) SZ: Scroll, POE lubricant, R407C - R134a (and R404A, R507A for SZ084 to SZ185)</p> <p>Nominal capacity in thousand Btu/h at 60 Hz, R22, ARI conditions</p> <p>Motor voltage code 3: 200-230V/3~/60 Hz 4: 380-400V/3~/50 - 460V/3~/60 Hz 6: 230V/3~/50 Hz 7: 500V/3~/50 Hz - 575V/3~/60 Hz 9: 380V/3~/60 Hz</p>	<table border="1"> <thead> <tr> <th>Motor protection type</th> <th>Connection</th> <th>Module voltage</th> <th>Applies to</th> </tr> </thead> <tbody> <tr> <td>V</td> <td>: brazed</td> <td></td> <td>S 084-090-100-110-120-148-161</td> </tr> <tr> <td>A</td> <td>: brazed</td> <td></td> <td>S 112-124-147</td> </tr> <tr> <td rowspan="2">C R</td> <td>: brazed</td> <td></td> <td rowspan="2">S 115-125-160-175-185</td> </tr> <tr> <td>: rotolock</td> <td></td> </tr> <tr> <td rowspan="6">J P U X K S W Y</td> <td>: brazed</td> <td>24 V DC</td> <td rowspan="6">S 240 - 300</td> </tr> <tr> <td>: brazed</td> <td>24 V AC</td> </tr> <tr> <td>: brazed</td> <td>115 V</td> </tr> <tr> <td>: brazed</td> <td>230 V</td> </tr> <tr> <td>: rotolock</td> <td>24 V DC</td> </tr> <tr> <td>: rotolock</td> <td>24 V AC</td> </tr> <tr> <td rowspan="3">AF AA AB MA MB CA CB CF</td> <td>A: brazed</td> <td>F: 24V DC A: 24V AC B: 115/230V A: 24V AC B: 115/230V</td> <td rowspan="3">S 380 *</td> </tr> <tr> <td>M: rotolock</td> <td>A: 24V AC B: 115/230V</td> </tr> <tr> <td>C: brazed</td> <td>A: 24V AC B: 115/230V F: 24V DC</td> </tr> </tbody> </table>					Motor protection type	Connection	Module voltage	Applies to	V	: brazed		S 084-090-100-110-120-148-161	A	: brazed		S 112-124-147	C R	: brazed		S 115-125-160-175-185	: rotolock		J P U X K S W Y	: brazed	24 V DC	S 240 - 300	: brazed	24 V AC	: brazed	115 V	: brazed	230 V	: rotolock	24 V DC	: rotolock	24 V AC	AF AA AB MA MB CA CB CF	A : brazed	F: 24V DC A: 24V AC B: 115/230V A: 24V AC B: 115/230V	S 380 *	M : rotolock	A: 24V AC B: 115/230V	C : brazed	A: 24V AC B: 115/230V F: 24V DC
Motor protection type	Connection	Module voltage	Applies to																																										
V	: brazed		S 084-090-100-110-120-148-161																																										
A	: brazed		S 112-124-147																																										
C R	: brazed		S 115-125-160-175-185																																										
	: rotolock																																												
J P U X K S W Y	: brazed	24 V DC	S 240 - 300																																										
	: brazed	24 V AC																																											
	: brazed	115 V																																											
	: brazed	230 V																																											
	: rotolock	24 V DC																																											
	: rotolock	24 V AC																																											
AF AA AB MA MB CA CB CF	A : brazed	F: 24V DC A: 24V AC B: 115/230V A: 24V AC B: 115/230V	S 380 *																																										
	M : rotolock	A: 24V AC B: 115/230V																																											
	C : brazed	A: 24V AC B: 115/230V F: 24V DC																																											

* SY380 only available for 400V/3~/50 Hz, SZ380 available for both 400V/3~/50 Hz and 460V/3~/60 Hz

FURTHER REFERENCE

For more exhaustive information on Performer® scroll compressors single & tandem units, please refer to the following documents:

- Online datasheet generator: www.danfoss.com/odsg - a tool providing user-friendly access to full technical data, performance data & outline drawings for each individual compressor.
- Selection and application guidelines for SM, SY and SZ Performer® single scroll compressors - ref. FRCC.PC.003. and for SM, SY and SZ Performer® scroll compressors in parallel installation - ref. FRCC.PC.005.

Above documents and datasheet generator are available on the Danfoss Commercial Compressors internet website: <http://cc.danfoss.com>

QUICK REFERENCE

PERFORMANCE DATA SM/SY R22

Model	To	-20		-15		-10		-5		0		5		10		15	
	Tc	Qo	Pe	Qo	Pe	Qo	Pe	Qo	Pe	Qo	Pe	Qo	Pe	Qo	Pe	Qo	Pe
SM084	35	7700	4.0	9900	4.0	12500	4.0	15500	4.0	18900	4.0	22800	4.0	27200	3.9	32100	3.9
	55	-	-	-	-	-	-	12000	6.4	15000	6.3	18500	6.2	22500	6.2	26900	6.1
SM090	35	8600	4.3	10900	4.4	13600	4.4	16700	4.4	20200	4.4	24300	4.4	28900	4.4	34100	4.4
	55	-	-	-	-	-	-	13300	6.7	16400	6.7	19900	6.6	23900	6.6	28400	6.5
SM100	35	9000	4.6	11500	4.6	14400	4.7	17700	4.7	21500	4.7	25800	4.7	30700	4.7	36200	4.7
	55	-	-	-	-	-	-	14200	7.1	17400	7.1	21200	7.1	25400	7.0	30200	7.0
SM110	35	10200	5.2	13000	5.2	16200	5.2	20000	5.2	24200	5.2	29000	5.2	34400	5.2	40400	5.2
	55	-	-	-	-	-	-	15900	8.0	19600	8.0	23800	7.9	28400	7.9	33700	7.8
SM112	35	11300	5.1	14100	5.1	17400	5.2	21200	5.3	25500	5.4	30500	5.5	36100	5.6	42500	5.7
	55	-	-	-	-	-	-	17500	7.8	21200	7.9	25400	8.0	30200	8.1	35700	8.2
SM115	35	11200	5.4	13900	5.4	17100	5.4	20800	5.5	25100	5.5	30000	5.4	35600	5.4	41800	5.4
	55	-	-	-	-	-	-	16500	8.6	20700	8.5	25500	8.5	31000	8.4	37100	8.3
SM120	35	11800	6.0	15200	6.0	19000	6.0	23300	5.9	28200	5.9	33700	5.9	39900	5.9	46700	5.9
	55	-	-	-	-	-	-	18600	9.2	22800	9.2	27600	9.1	33000	9.0	38900	9.0
SM124	35	13100	5.4	16200	5.5	19800	5.7	23900	5.8	28700	6.0	34100	6.1	40300	6.2	47200	6.4
	55	-	-	-	-	-	-	19800	8.4	24000	8.6	28700	8.8	34100	9.0	40200	9.2
SM125	35	12000	5.8	15000	5.8	18400	5.9	22400	5.9	27000	5.9	32300	5.9	38200	5.8	45000	5.8
	55	-	-	-	-	-	-	17700	9.3	22300	9.2	27400	9.1	33300	9.0	39900	8.9
SM147	35	14900	6.3	18600	6.4	22900	6.5	27800	6.7	33500	6.9	40000	7.1	47300	7.2	55600	7.4
	55	-	-	-	-	-	-	22700	9.8	27500	9.9	33100	10.1	39400	10.3	46600	10.5
SM148	35	14800	7.0	18500	7.0	22900	7.1	27800	7.1	33600	7.2	40100	7.2	47500	7.3	55900	7.3
	55	-	-	-	-	-	-	22600	10.9	27500	10.9	33100	10.9	39500	11.0	46800	11.0
SM160	35	15500	7.6	19600	7.7	24300	7.8	29700	7.9	35900	8.0	43000	8.1	50900	8.1	59800	8.2
	55	-	-	-	-	-	11.5	24100	11.6	29600	11.6	35800	11.7	42900	11.8	50800	11.8
SM161	35	16000	7.5	20100	7.6	24700	7.6	30100	7.6	36300	7.7	43400	7.7	51400	7.8	60500	7.8
	55	-	-	-	-	-	-	24400	11.7	29700	11.7	35800	11.7	42800	11.8	50600	11.8
SM175	35	17000	8.1	21300	8.1	26400	8.2	32300	8.3	39000	8.4	46600	8.4	55200	8.5	64800	8.5
	55	-	-	-	-	-	-	26200	12.4	32000	12.5	38500	12.6	46000	12.6	54400	12.7
SM185	35	18400	8.8	23100	8.9	28600	9.0	35000	9.1	42200	9.1	50500	9.2	59800	9.3	70200	9.3
	55	-	-	-	-	-	13.5	28400	13.6	34600	13.7	41800	13.8	49800	13.8	58900	13.9
SY185	35	17600	8.7	22500	8.7	28100	8.7	34500	8.8	42000	8.9	50400	9.0	60000	9.1	70900	9.2
	55	-	-	-	-	-	13.3	28600	13.3	34800	13.3	41900	13.4	49800	13.5	58600	13.7
SY240	35	25100	11.7	31400	11.8	38800	12.0	47300	12.1	57100	12.4	68300	12.6	81000	13.0	95300	13.3
	55	-	-	-	-	-	-	38400	17.8	46600	18.0	56100	18.3	67000	18.6	79300	18.9
SY300	35	31900	14.2	39900	14.5	49300	14.8	60300	15.1	73100	15.6	87900	16.1	104800	16.7	124100	17.4
	55	-	-	-	-	-	-	48600	22.0	59200	22.4	71600	22.8	85900	23.4	102300	24.1
SY380	35	40100	17.3	49500	17.6	60500	18.0	73300	18.4	88100	18.8	104900	19.2	124100	19.8	145800	20.4
	55	-	-	-	-	-	-	59700	26.8	72300	27.1	86800	27.5	103400	27.9	122300	28.4
SM170	35	15200	8.0	19500	8.0	24600	8.0	30500	8.0	37200	8.0	44900	7.9	53500	7.9	63200	7.8
	55	-	-	-	-	-	-	23600	12.7	29600	12.6	36500	12.5	44300	12.3	53100	12.1
SM180	35	16900	8.6	21400	8.7	26700	8.8	32800	8.8	39900	8.8	47900	8.8	56900	8.8	67100	8.7
	55	-	-	-	-	-	-	26200	13.4	32300	13.3	39300	13.3	47100	13.2	56000	13.1
SM200	35	17700	9.2	22600	9.3	28300	9.3	34800	9.3	42300	9.4	50900	9.4	60500	9.4	71300	9.4
	55	-	-	-	-	-	-	27900	14.3	34400	14.2	41700	14.1	50000	14.0	59400	13.9
SM220	35	20000	10.4	25500	10.4	32000	10.4	39300	10.4	47700	10.5	57100	10.5	67700	10.4	79500	10.4
	55	-	-	-	-	-	-	31400	16.0	38600	16.0	46800	15.9	56000	15.8	66300	15.6
SM230	35	22000	10.8	27400	10.9	33700	10.9	41000	10.9	49500	10.9	59100	10.9	70100	10.9	82400	10.8
	55	-	-	-	-	-	-	32500	17.2	40800	17.1	50200	16.9	61000	16.7	73100	16.5
SM242	35	23300	12.0	29900	11.9	37400	11.9	45900	11.9	55600	11.9	66400	11.9	78500	11.8	92000	11.8
	55	-	-	-	-	-	-	36600	18.4	45000	18.3	54400	18.2	64900	18.1	76600	17.9
SM248	35	26300	10.9	32500	11.1	39600	11.3	47900	11.6	57400	11.9	68200	12.2	80500	12.5	94400	12.7
	55	-	-	-	-	-	-	39700	16.9	47900	17.2	57400	17.5	68100	17.9	80300	18.4
SM250	35	23700	11.6	29500	11.7	36200	11.7	44100	11.7	53200	11.7	63500	11.7	75300	11.7	88600	11.6
	55	-	-	-	-	-	-	35000	18.5	43800	18.4	54000	18.2	65600	18.0	78600	17.7
SM268	35	26600	13.0	33700	13.0	41800	13.0	51100	13.1	61700	13.1	73700	13.2	87300	13.2	102400	13.2
	55	-	-	-	-	-	-	40700	20.1	49800	20.1	60100	20.0	71700	20.0	84800	20.0
SM271	35	25800	12.7	32500	12.8	40300	12.8	49300	12.9	59600	12.9	71300	13.0	84500	13.0	99300	13.0
	55	-	-	-	-	-	-	39700	19.7	48600	19.7	58700	19.7	70100	19.6	83000	19.6
SM272	35	28000	11.7	34800	11.9	42600	12.2	51700	12.5	62100	12.8	73900	13.2	87400	13.5	102600	13.8
	55	-	-	-	-	-	-	41700	18.3	50500	18.5	60600	18.9	72100	19.3	85200	19.7
SM281	35	27500	13.5	34700	13.5	43000	13.6	52600	13.6	63600	13.6	75900	13.7	89900	13.7	105500	13.7
	55	-	-	-	-	-	-	42300	20.9	51800	20.9	62500	20.8	74600	20.8	88200	20.8
SM285	35	27100	13.4	34000	13.5	42100	13.6	51400	13.7	62000	13.8	74100	13.9	87800	14.0	103200	14.1
	55	-	-	-	-	-	-	41200	20.8	51100	20.8	62300	20.8	75000	20.8	89300	20.7
SM290	35	27700	13.5	34700	13.6	42900	13.7	52300	13.8	63100	13.8	75400	13.9	89400	13.9	105100	13.9
	55	-	-	-	-	-	-	42000	21.0	51900	21.1	63100	21.1	75800	21.0	90100	20.9
SM294	35	29900	12.5	37200	12.7	45800	13.0	55600	13.4	67000	13.7	79900	14.1	94600	14.5	111200	14.8
	55	-	-	-	-	-	-	45400	19.7	55100	19.9	66200	20.2	78900	20.6	93300	21.1
SM296	35	29200	14.0	36500	14.1	45000	14.2	54800	14.2	66100	14.3	79000	14.4	93600	14.5	110100	14.6
	55	-	-	-	-	-	-	44500	21.8	54100	21.8	65200	21.8	77900	21.9	92200	21.9
SM310	35	30000	14.6	37500	14.7	46300	14.8	56500	14.9	68200	15.0	81500	15.1	96500	15.1	113500	15.1
	55	-	-	-	-	-	-	45400	22.8	56000	22.9	68100	22.9	81900	22.8	97300	22.7
SM320	35	30600	15.2	38600	15.4	47900	15.6	58600	15.7	70800	15.9	84700	16.1	100300	16.3	117900	16.5
	55	-	-	-	-	-	-	47400	23.1	58300	23.3	70600	23.4	84500	23.5	100100	23.7
SM322	35	31600	15.0	39500	15.1	48700	15.2	59300	15.3	71500	15.4	85500	15.5	101300	15.6	119100	15.6
	55	-	-	-	-	-	-	48100	23.4	58600	23.4	70600	23.4	84200	23.5	99700	23.5
SM350	35	33500	16.1	42000	16.3	52000	16.4	63600	16.6	76800	16.7	91800	16.8	108700	16.9	127700	17.0
	55	-	-	-	-	-	-	51600	24.9	6300							

QUICK REFERENCE

PERFORMANCE DATA SZ R134 a

Model	To	-15		-10		-5		0		5		10		15	
	Tc	Qo	Pe	Qo	Pe	Qo	Pe	Qo	Pe	Qo	Pe	Qo	Pe	Qo	Pe
SZ084	35	6 200	2.8	8 000	2.8	10 100	2.8	12 600	2.8	15 400	2.7	18 700	2.7	22 400	2.6
	55	-	-	6 100	4.3	7 900	4.3	9 900	4.3	12 400	4.3	15 100	4.3	18 300	4.2
SZ090	35	6 700	2.9	8 600	2.9	10 900	3.0	13 400	2.9	16 400	2.9	19 800	2.9	23 600	2.8
	55	-	-	6 600	4.5	8 500	4.6	10 700	4.6	13 200	4.6	16 000	4.5	19 300	4.5
SZ100	35	7 300	3.1	9 400	3.1	11 700	3.1	14 400	3.1	17 500	3.1	21 000	3.1	25 000	3.1
	55	-	-	7 300	4.8	9 300	4.8	11 500	4.9	14 100	4.9	17 100	4.9	20 400	4.8
SZ110	35	8 200	3.5	10 500	3.5	13 200	3.5	16 200	3.5	19 800	3.5	23 800	3.5	28 400	3.5
	55	-	-	8 100	5.4	10 400	5.4	13 000	5.5	16 000	5.5	19 400	5.5	23 300	5.4
SZ115	35	9 000	3.8	11 600	3.8	14 500	3.8	17 900	3.8	21 800	3.8	26 300	3.7	31 200	3.7
	55	-	-	8 900	5.9	11 400	5.9	14 300	5.9	17 600	5.9	21 400	5.9	25 700	5.9
SZ120	35	9 400	4.0	12 000	4.0	15 100	4.1	18 700	4.1	22 800	4.1	27 500	4.1	32 900	4.0
	55	-	-	9 300	6.2	11 900	6.3	14 900	6.3	18 400	6.3	22 400	6.3	27 000	6.2
SZ125	35	9 600	4.1	12 300	4.1	15 500	4.1	19 100	4.1	23 300	4.0	28 000	4.0	33 300	3.9
	55	-	-	9 500	6.3	12 100	6.3	15 200	6.3	18 800	6.3	22 800	6.3	27 400	6.2
SZ148	35	11 200	5.0	14 400	5.0	18 100	5.0	22 600	5.0	27 900	5.0	34 000	5.0	41 100	5.0
	55	-	-	11 200	7.7	14 200	7.7	17 800	7.7	22 100	7.7	27 100	7.8	32 800	7.8
SZ160	35	12 400	5.3	15 900	5.3	20 000	5.4	24 700	5.4	30 200	5.4	36 400	5.4	43 500	5.4
	55	-	-	12 300	7.9	15 800	8.0	19 800	8.0	24 500	8.1	29 800	8.1	35 900	8.1
SZ161	35	12 000	5.2	15 300	5.2	19 200	5.3	23 800	5.3	29 200	5.4	35 500	5.4	42 700	5.4
	55	-	-	12 100	8.0	15 300	8.0	19 200	8.1	23 700	8.1	28 900	8.1	35 000	8.1
SZ175	35	13 200	5.7	16 900	5.8	21 200	5.8	26 200	5.9	32 100	5.9	38 700	5.9	46 200	5.8
	55	-	-	13 100	8.6	16 700	8.6	21 000	8.7	26 000	8.7	31 700	8.8	38 100	8.8
SZ185	35	14 000	6.1	18 000	6.1	22 600	6.2	27 900	6.2	34 100	6.3	41 200	6.3	49 200	6.2
	55	-	-	13 900	9.1	17 800	9.2	22 400	9.3	27 700	9.3	33 700	9.3	40 600	9.3
SZ240	35	18 900	8.4	23 900	8.5	29 900	8.6	37 100	8.7	45 700	8.7	56 000	8.8	68 200	8.9
	55	-	-	18 800	12.3	23 800	12.5	29 700	12.6	36 700	12.7	45 000	12.9	54 700	13.0
SZ300	35	23 700	10.2	30 000	10.4	37 500	10.5	46 300	10.6	56 700	10.7	68 900	10.8	82 800	11.0
	55	-	-	23 600	15.2	29 700	15.4	37 100	15.6	45 800	15.9	55 900	16.1	67 800	16.4
SZ380	35	30 200	12.3	38 000	12.5	47 300	12.7	58 200	12.9	71 000	13.1	85 800	13.4	102 900	13.6
	55	-	-	30 100	18.1	37 800	18.4	46 900	18.7	57 600	19.0	70 000	19.2	84 400	19.4
SZ170	35	12 200	5.5	15 700	5.6	19 900	5.6	24 800	5.5	30 400	5.5	36 800	5.4	44 000	5.3
	55	-	-	11 900	8.6	15 500	8.6	19 600	8.6	24 300	8.6	29 800	8.5	36 000	8.4
SZ180	35	13 300	5.9	17 000	5.9	21 400	5.9	26 500	5.9	32 300	5.8	39 000	5.8	46 500	5.7
	55	-	-	13 100	9.1	16 800	9.1	21 100	9.1	26 000	9.1	31 600	9.1	38 000	9.0
SZ200	35	14 500	6.2	18 400	6.2	23 000	6.3	28 400	6.3	34 500	6.2	41 400	6.2	49 200	6.1
	55	-	-	14 400	9.6	18 200	9.7	22 700	9.7	27 800	9.7	33 600	9.7	40 200	9.7
SZ220	35	16 300	7.0	20 700	7.0	25 900	7.1	32 000	7.1	39 000	7.1	46 900	7.0	56 000	6.9
	55	-	-	16 100	10.8	20 500	10.9	25 600	10.9	31 400	10.9	38 200	10.9	45 900	10.9
SZ230	35	17 800	7.6	22 800	7.6	28 600	7.6	35 300	7.6	43 000	7.6	51 700	7.5	61 600	7.4
	55	-	-	17 500	11.7	22 500	11.8	28 200	11.8	34 800	11.8	42 200	11.8	50 700	11.7
SZ242	35	18 600	8.0	23 700	8.1	29 700	8.1	36 800	8.1	44 900	8.1	54 200	8.1	64 900	8.0
	55	-	-	18 300	12.5	23 400	12.5	29 300	12.5	36 200	12.5	44 200	12.5	53 300	12.4
SZ250	35	19 000	8.1	24 300	8.1	30 500	8.1	37 600	8.1	45 800	8.1	55 100	8.0	65 600	7.9
	55	-	-	18 600	12.5	23 900	12.5	30 000	12.6	37 000	12.6	45 000	12.5	54 000	12.5
SZ268	35	20 600	9.0	26 400	9.1	33 200	9.1	41 200	9.1	50 600	9.1	61 400	9.1	73 900	9.0
	55	-	-	20 100	13.9	25 700	14.0	32 300	14.0	39 900	14.0	48 800	14.0	59 100	14.0
SZ271	35	20 200	8.7	25 800	8.7	32 300	8.8	40 000	8.9	48 900	8.9	59 200	8.9	71 000	8.9
	55	-	-	19 900	13.4	25 300	13.5	31 600	13.5	39 000	13.6	47 600	13.6	57 400	13.6
SZ281	35	21 400	9.2	27 300	9.3	34 300	9.3	42 400	9.4	51 900	9.4	62 900	9.4	75 500	9.4
	55	-	-	21 000	14.2	26 800	14.3	33 500	14.3	41 500	14.4	50 600	14.4	61 200	14.3
SZ285	35	21 700	9.3	27 800	9.4	34 900	9.4	43 100	9.5	52 600	9.5	63 400	9.4	75 600	9.3
	55	-	-	21 400	14.2	27 500	14.2	34 500	14.3	42 600	14.4	51 900	14.4	62 400	14.3
SZ290	35	21 900	9.5	28 000	9.6	35 200	9.6	43 500	9.7	53 100	9.7	64 000	9.6	76 300	9.5
	55	-	-	21 600	14.4	27 700	14.5	34 800	14.6	43 000	14.6	52 300	14.7	62 900	14.6
SZ296	35	22 100	10.0	28 300	10.0	35 700	10.0	44 500	10.0	54 900	10.0	67 000	10.0	80 900	10.0
	55	-	-	22 000	15.4	28 000	15.4	35 200	15.4	43 500	15.5	53 300	15.5	64 700	15.6
SZ310	35	23 300	10.1	29 800	10.2	37 500	10.3	46 300	10.3	56 500	10.3	68 100	10.2	81 200	10.1
	55	-	-	23 000	15.4	29 500	15.5	37 100	15.5	45 800	15.6	55 700	15.6	67 000	15.6
SZ320	35	24 400	10.5	31 300	10.6	39 300	10.7	48 700	10.8	59 400	10.8	71 700	10.8	85 700	10.8
	55	-	-	24 200	15.8	31 000	15.9	39 000	16.0	48 200	16.1	58 700	16.2	70 700	16.2
SZ322	35	23 600	10.4	30 100	10.5	37 800	10.5	46 900	10.6	57 600	10.7	69 900	10.8	84 100	10.8
	55	-	-	23 800	15.9	30 200	16.0	37 800	16.1	46 600	16.2	56 900	16.2	68 900	16.2
SZ350	35	26 000	11.4	33 200	11.5	41 800	11.6	51 700	11.7	63 100	11.8	76 200	11.7	91 100	11.7
	55	-	-	25 700	17.1	33 000	17.3	41 400	17.4	51 200	17.5	62 400	17.5	75 100	17.5
SZ370	35	27 600	12.1	35 400	12.3	44 500	12.4	55 000	12.5	67 200	12.5	81 100	12.5	96 900	12.4
	55	-	-	27 400	18.2	35 100	18.4	44 100	18.5	54 500	18.6	66 400	18.7	79 900	18.6

Rating conditions for R22 and R134a
To: Evaporating temperature in °C **Qo:** Cooling capacity in W Superheat = 11.1 K Voltage: 400 V / 3 / 50 Hz
Tc: Condensing temperature in °C **Pe:** Power input in kW Subcooling = 8.3 K

QUICK REFERENCE

PERFORMANCE DATA SZ R407C

Model	To	-20		-15		-10		-5		0		5		10		15	
		Tc	Qo	Pe	Qo	Pe	Qo	Pe	Qo	Pe	Qo	Pe	Qo	Pe	Qo	Pe	Qo
SZ084	35	7 200	3.9	9 300	3.9	11 800	4.0	14 800	4.0	18 300	4.0	22 300	4.0	27 000	4.0	32 300	3.9
	55	-	-	-	-	-	-	11 300	6.2	14 200	6.2	17 500	6.2	21 400	6.2	25 800	6.2
SZ090	35	7 600	4.1	9 800	4.1	12 500	4.2	15 600	4.2	19 300	4.2	23 600	4.2	28 500	4.2	34 100	4.1
	55	-	-	-	-	-	-	12 000	6.5	15 000	6.5	18 500	6.5	22 500	6.5	27 200	6.5
SZ100	35	8 100	4.3	10 500	4.4	13 300	4.4	16 600	4.4	20 500	4.5	25 000	4.4	30 100	4.4	36 000	4.4
	55	-	-	-	-	-	-	12 700	6.9	15 900	6.9	19 600	6.9	23 800	6.9	28 700	6.9
SZ110	35	9 300	4.9	12 000	5.0	15 200	5.0	19 000	5.0	23 400	5.0	28 500	5.0	34 300	5.0	40 900	4.9
	55	-	-	-	-	-	-	14 500	7.9	18 100	7.9	22 300	7.9	27 200	7.9	32 700	7.8
SZ115	35	10 100	5.4	13 100	5.4	16 600	5.4	20 800	5.5	25 600	5.4	31 100	5.4	37 400	5.4	44 500	5.3
	55	-	-	-	-	-	-	15 800	8.7	19 800	8.7	24 400	8.6	29 600	8.6	35 600	8.5
SZ120	35	11 000	5.7	14 200	5.7	17 900	5.8	22 200	5.8	27 300	5.8	33 200	5.8	39 900	5.7	47 600	5.6
	55	-	-	-	-	-	-	17 000	9.2	21 200	9.2	26 100	9.2	31 600	9.1	38 000	9.0
SZ125	35	10 800	5.7	14 000	5.7	17 700	5.7	22 100	5.7	27 200	5.7	33 100	5.7	39 800	5.7	47 400	5.6
	55	-	-	-	-	-	-	16 800	9.2	21 000	9.1	25 900	9.1	31 500	9.0	37 900	9.0
SZ148	35	13 500	6.9	17 300	7.0	21 700	7.0	27 000	7.0	33 100	7.1	40 300	7.1	48 500	7.1	57 800	7.2
	55	-	-	-	-	-	-	21 200	11.1	26 200	11.1	32 100	11.1	38 900	11.1	46 700	11.1
SZ160	35	14 800	7.3	19 000	7.4	23 900	7.5	29 700	7.6	36 400	7.6	44 300	7.6	53 300	7.6	63 600	7.6
	55	-	-	-	-	-	-	23 200	11.8	28 800	11.9	35 200	11.9	42 700	11.9	51 400	11.9
SZ161	35	14 600	7.4	18 700	7.5	23 500	7.5	29 200	7.6	35 800	7.6	43 500	7.6	52 400	7.7	62 600	7.8
	55	-	-	-	-	-	-	22 900	12.0	28 400	12.0	34 700	12.0	42 100	12.0	50 600	12.0
SZ175	35	15 500	8.0	19 800	8.0	25 000	8.1	31 100	8.2	38 100	8.2	46 300	8.2	55 600	8.2	66 200	8.2
	55	-	-	-	-	-	-	24 000	12.7	29 800	12.8	36 500	12.8	44 200	12.8	53 000	12.8
SZ185	35	16 600	8.6	21 300	8.6	26 900	8.7	33 400	8.8	41 000	8.8	49 700	8.8	59 700	8.8	71 100	8.8
	55	-	-	-	-	-	-	25 700	13.7	32 000	13.7	39 200	13.8	47 500	13.8	56 900	13.8
SZ240	35	22 400	11.7	28 900	11.8	36 500	11.9	45 400	12.1	55 900	12.2	68 000	12.4	82 000	12.5	98 000	12.6
	55	-	-	21 900	17.9	28 100	18.0	35 500	18.2	44 000	18.4	54 000	18.7	65 500	18.9	78 800	19.2
SZ300	35	28 700	13.7	36 200	13.9	45 100	14.1	55 500	14.3	67 600	14.5	81 700	14.7	98 000	14.9	116 600	15.2
	55	-	-	28 500	21.2	35 900	21.6	44 600	22.1	54 800	22.5	66 600	22.9	80 400	23.2	96 300	23.6
SZ380	35	36 000	16.9	45 300	17.3	56 400	17.6	69 400	18.0	84 600	18.3	102 200	18.6	122 400	18.9	145 400	19.4
	55	-	-	35 000	26.1	44 200	26.6	55 000	27.0	67 500	27.4	82 100	27.8	98 900	28.1	118 200	28.5
SZ170	35	14 200	7.8	18 300	7.9	23 200	8.0	29 100	8.0	36 000	8.0	44 000	8.0	53 200	8.0	63 700	7.9
	55	-	-	-	-	-	-	22 300	12.3	27 900	12.4	34 500	12.4	42 100	12.4	50 900	12.4
SZ180	35	15 000	8.2	19 400	8.3	24 600	8.3	30 800	8.4	38 000	8.4	46 400	8.4	56 100	8.3	67 100	8.2
	55	-	-	-	-	-	-	23 600	13.0	29 500	13.0	36 400	13.1	44 400	13.0	53 600	13.0
SZ200	35	16 000	8.7	20 600	8.8	26 100	8.8	32 700	8.9	40 300	8.9	49 200	8.9	59 300	8.8	70 900	8.7
	55	-	-	-	-	-	-	25 000	13.8	31 300	13.9	38 600	13.9	47 000	13.8	56 600	13.8
SZ220	35	18 400	9.9	23 700	9.9	30 000	10.0	37 400	10.1	46 100	10.1	56 100	10.0	67 500	10.0	80 600	9.8
	55	-	-	-	-	-	-	28 600	15.8	35 800	15.8	44 000	15.8	53 500	15.7	64 400	15.5
SZ230	35	20 000	10.8	25 800	10.8	32 800	10.9	40 900	10.9	50 400	10.9	61 200	10.9	73 700	10.8	87 700	10.7
	55	-	-	-	-	-	-	31 100	17.4	38 900	17.3	48 000	17.3	58 400	17.2	70 200	17.0
SZ242	35	21 600	11.4	27 900	11.5	35 200	11.6	43 800	11.6	53 800	11.6	65 400	11.5	78 600	11.4	93 700	11.2
	55	-	-	-	-	-	-	33 600	18.3	41 800	18.4	51 300	18.3	62 300	18.1	74 800	17.9
SZ250	35	21 200	11.4	27 500	11.4	34 900	11.5	43 500	11.5	53 600	11.5	65 200	11.4	78 300	11.4	93 300	11.3
	55	-	-	-	-	-	-	33 100	18.3	41 400	18.3	51 100	18.2	62 100	18.1	74 700	17.9
SZ268	35	24 100	12.6	31 000	12.7	39 000	12.8	48 500	12.9	59 500	12.9	72 300	12.9	87 000	12.9	103 800	12.8
	55	-	-	-	-	-	-	37 600	20.3	46 700	20.3	57 300	20.3	69 400	20.2	83 400	20.1
SZ271	35	23 900	12.4	30 600	12.5	38 700	12.6	48 100	12.6	59 100	12.6	71 900	12.7	86 600	12.7	103 400	12.7
	55	-	-	-	-	-	-	36 700	19.9	45 700	19.9	56 000	19.9	68 000	19.9	81 800	19.8
SZ281	35	25 200	13.1	32 300	13.2	40 800	13.3	50 700	13.4	62 200	13.4	75 600	13.4	90 900	13.4	108 500	13.4
	55	-	-	-	-	-	-	39 300	21.2	48 800	21.2	59 900	21.2	72 600	21.1	87 200	21.0
SZ285	35	25 500	13.0	32 900	13.2	41 500	13.3	51 700	13.3	63 500	13.3	77 200	13.3	92 900	13.3	110 800	13.2
	55	-	-	-	-	-	-	39 300	21.0	48 900	21.0	60 100	21.0	73 100	21.0	87 900	20.9
SZ290	35	25 200	13.4	32 500	13.5	41 000	13.5	51 100	13.6	62 800	13.7	76 200	13.7	91 600	13.6	109 000	13.5
	55	-	-	-	-	-	-	39 100	21.4	48 800	21.5	59 900	21.5	72 700	21.4	87 300	21.3
SZ296	35	26 600	13.8	34 000	13.9	42 800	14.0	53 200	14.1	65 300	14.2	79 300	14.2	95 500	14.3	114 000	14.4
	55	-	-	-	-	-	-	41 700	22.2	51 700	22.3	63 200	22.3	76 600	22.3	92 000	22.3
SZ310	35	27 000	14.2	34 700	14.4	43 900	14.5	54 700	14.5	67 200	14.6	81 600	14.6	98 000	14.5	116 700	14.4
	55	-	-	-	-	-	-	41 900	22.9	52 200	22.9	64 100	22.9	77 800	22.9	93 400	22.8
SZ320	35	29 200	14.7	37 300	14.9	47 000	15.0	58 400	15.1	71 800	15.2	87 200	15.2	105 000	15.2	125 400	15.2
	55	-	-	-	-	-	-	45 700	23.6	56 700	23.7	69 400	23.8	84 200	23.8	101 300	23.9
SZ322	35	28 700	14.9	36 800	15.0	46 300	15.1	57 500	15.1	70 600	15.2	85 800	15.3	103 300	15.4	123 300	15.5
	55	-	-	-	-	-	-	45 100	23.9	55 900	24.0	68 400	24.0	82 900	24.0	99 600	24.0
SZ350	35	30 500	15.9	39 100	16.1	49 300	16.2	61 200	16.3	75 200	16.4	91 200	16.4	109 500	16.4	130 300	16.4
	55	-	-	-	-	-	-	47 200	25.4	58 600	25.6	71 900	25.6	87 100	25.7	104 400	25.7
SZ370	35	32 700	17.1	42 000	17.3	52 900	17.4	65 800	17.5	80 700	17.6	98 000	17.7	117 700	17.7	140 000	17.6
	55	-	-	-	-	-	-	50 700	27.4	63 000	27.5	77 200	27.6	93 500	27.6		

QUICK REFERENCE
ORDERING REFERENCE

Model	Connections	Motor protection	SM /SY compressors in industrial pack			SZ compressors in industrial pack		
			4	6	7	4	6	7
			460/3/60 380-400/3/50	230/3/50	575/3/60 500/3/50	460/3/60 380-400/3/50	230/3/50	575/3/60 500/3/50
S 084	Brazed	Internal	SM084-4VM	SM084-6VM	SM084-7VM	SZ084-4VM	SZ084-6VM	SZ084-7VM
S 090	Brazed	Internal	SM090-4VM	SM090-6VM	SM090-7VM	SZ090-4VM	SZ090-6VM	SZ090-7VM
S 100	Brazed	Internal	SM100-4VM	SM100-6VM	SM100-7VM	SZ100-4VM	SZ100-6VM	SZ100-7VM
S 110	Brazed	Internal	SM110-4VM	SM110-6VM	SM110-7VM	SZ110-4VM	SZ110-6VM	SZ110-7VM
S 115	Brazed	Thermostat	SM115-4CAM	SM115-6CAM	SM115-7CAM	SZ115-4CAM	SZ115-6CAM	SZ115-7CAM
	Brazed	Module 24V AC	SM115-4PBM	-	SM115-7PBM	SZ115-4PBM	-	SZ115-7PBM
	Rotolock	Thermostat	SM115-4RM	SM115-6RM	SM115-7RM	SZ115-4RM	SZ115-6RM	SZ115-7RM
	Rotolock	Module 24V AC	SM115-4SBM	-	SM115-7SBM	SZ115-4SBM	-	SZ115-7SBM
S 120	Brazed	Internal	SM120-4VM	SM120-6VM	SM120-7VM	SZ120-4VM	SZ120-6VM	SZ120-7VM
S 125	Brazed	Thermostat	SM125-4CAM	SM125-6CAM	SM125-7CAM	SZ125-4CAM	SZ125-6CAM	SZ125-7CAM
	Brazed	Module 24V AC	SM125-4PBM	-	SM125-7PBM	SZ125-4PBM	-	SZ125-7PBM
	Brazed	Module 24V DC	SM125-4JBM	-	-	SZ125-4JBM	-	-
	Rotolock	Thermostat	SM125-4RM	SM125-6RM	SM125-7RM	SZ125-4RM	SZ125-6RM	SZ125-7RM
	Rotolock	Module 24V AC	SM125-4SBM	-	SM125-7SBM	SZ125-4SBM	-	SZ125-7SBM
	Rotolock	Module 24V DC	SM125-4KBM	-	-	SZ125-4KBM	-	-
S 148	Brazed	Internal	SM148-4VAM	SM148-6VAM	SM148-7VAM	SZ148-4VAM	SZ148-6VAM	SZ148-7VAM
S 160	Brazed	Thermostat	SM160-4CBM	SM160-6CBM	SM160-7CAM	SZ160-4CBM	SZ160-6CBM	SZ160-7CAM
	Brazed	Module 24V AC	SM160-4PBM	-	SM160-7PBM	SZ160-4PBM	-	SZ160-7PBM
	Brazed	Module 24V DC	SM160-4JBM	-	-	SZ160-4JBM	-	-
	Rotolock	Thermostat	SM160-4RAM	SM160-6RAM	SM160-7RAM	SZ160-4RAM	SZ160-6RAM	SZ160-7RAM
	Rotolock	Module 24V AC	SM160-4SBM	-	SM160-7SBM	SZ160-4SBM	-	SZ160-7SBM
	Rotolock	Module 24V DC	SM160-4KBM	-	-	SZ160-4KBM	-	-
S 161	Brazed	Internal	SM161-4VAM	SM161-6VAM	SM161-7VAM	SZ161-4VAM	SZ161-6VAM	SZ161-7VAM
S 175	Brazed	Thermostat	SM175-4CAM	SM175-6CAM	SM175-7CAM	SZ175-4CAM	SZ175-6CAM	SZ175-7CAM
	Brazed	Module 24V AC	SM175-4PCM	-	SM175-7PCM	SZ175-4PCM	-	SZ175-7PCM
	Rotolock	Thermostat	SM175-4RM	SM175-6RM	SM175-7RM	SZ175-4RM	SZ175-6RM	SZ175-7RM
	Rotolock	Module 24V AC	SM175-4SCM	-	SM175-7SCM	SZ175-4SCM	-	SZ175-7SCM
S 185	Brazed	Thermostat	SM185-4CAM	SM185-6CAM	SM185-7CAM	SZ185-4CAM	SZ185-6CAM	SZ185-7CAM
	Brazed	Module 24 V AC	SM185-4PCM	-	SM185-7PCM	SZ185-4PCM	-	SZ185-7PCM
	Brazed	Module 24 V DC	SM185-4JCM	-	-	SZ185-4JCM	-	-
	Brazed	Module 230 V	SM185-4XCM	-	-	SZ185-4XCM	-	-
	Rotolock	Thermostat	SM185-4RM	SM185-6RM	SM185-7RM	SZ185-4RM	SZ185-6RM	SZ185-7RM
	Rotolock	Module 24 V AC	SM185-4SCM	-	SM185-7SCM	SZ185-4SCM	-	SZ185-7SCM
	Rotolock	Module 24 V DC	SM185-4KCM	-	-	SZ185-4KCM	-	-
	Rotolock	Module 230 V	SM185-4YCM	-	-	SZ185-4YCM	-	-
SY185 **	Brazed	Thermostat	SY185-4CAM	-	-			
	Rotolock	Thermostat	SY185-4RM	-	-			
S 240	Brazed	Module 24V AC	SY240A4AAM	SY240A6AAM	SY240A7AAM	SZ240A4AAM	SZ240A6AAM	SZ240A7AAM
	Brazed	Module 115-230V AC	SY240A4ABM	SY240A6ABM	SY240A7ABM	SZ240A4ABM	SZ240A6ABM	SZ240A7ABM
	Rotolock	Module 24V AC	SY240A4MAM	SY240A6MAM	SY240A7MAM	SZ240A4MAM	SZ240A6MAM	SZ240A7MAM
	Rotolock	Module 115-230V AC	SY240A4MBM	SY240A6MBM	SY240A7MBM	SZ240A4MBM	SZ240A6MBM	SZ240A7MBM
S 300	Brazed	Module 24V AC	SY300A4AAM	SY300A6AAM	SY300A7AAM	SZ300A4AAM	SZ300A6AAM	SZ300A7AAM
	Brazed	Module 115-230V AC	SY300A4ABM	SY300A6ABM	SY300A7ABM	SZ300A4ABM	SZ300A6ABM	SZ300A7ABM
	Rotolock	Module 24V AC	SY300A4MAM	SY300A6MAM	SY300A7MAM	SZ300A4MAM	SZ300A6MAM	SZ300A7MAM
	Rotolock	Module 115-230V AC	SY300A4MBM	SY300A6MBM	SY300A7MBM	SZ300A4MBM	SZ300A6MBM	SZ300A7MBM
S 380	Brazed	Module 24V AC	SY380A4CAM *	-	-	SZ380A4CAM	-	-
	Brazed	Module 115-230V AC	SY380A4CBM *	-	-	SZ380A4CBM	-	-

* SY380 only available for 400V/3~/50 Hz

** No module version available

SM/SY and SZ compressors in single pack: use numbers from above table and replace the last digit by «1». Example: SY240A4A1

Model	Connections	Motor protection	SM112-124-147 compressors in industrial pack			SM112-124-147 compressors in single pack		
			4	6	7	4	6	7
			460/3/60 380-400/3/50	230/3/50	575/3/60 500/3/50	460/3/60 380-400/3/50	230/3/50	575/3/60 500/3/50
SM112	Brazed	Internal	120H0612	-	-	120H0611	-	-
SM124	Brazed	Internal	120H0186	-	-	120H0185	-	-
SM147	Brazed	Internal	120H0311	-	-	120H0191	-	-



The Danfoss product range for the refrigeration and air conditioning industry

Within refrigeration and air conditioning, Danfoss is a worldwide manufacturer with a leading position in industrial, commercial and supermarket refrigeration as well as air conditioning and climate solutions.

We focus on our core business of making quality products, components and systems that enhance performance and reduce total life cycle costs – the key to major savings.



Controls for Commercial Refrigeration



Controls for Industrial Refrigeration



Electronic Controls & Sensors



Industrial Automation



Household Compressors



Commercial Compressors



Sub-Assemblies



Thermostats



Brazen plate heat exchanger

We are offering a single source for one of the widest ranges of innovative refrigeration and air conditioning components and systems in the world. And, we back technical solutions with business solution to help your company reduce costs, streamline processes and achieve your business goals.

Danfoss A/S • www.danfoss.com

Danfoss Commercial Compressors <http://cc.danfoss.com>

Danfoss can accept no responsibility for possible errors in catalogues, brochures and other printed material. Danfoss reserves the right to alter its products without notice. This also applies to products already on order provided that such alterations can be made without consequential changes being necessary in specifications already agreed. All trademarks in this material are property of the respective companies. Danfoss and the Danfoss logotype are trademarks of Danfoss A/S. All rights reserved.